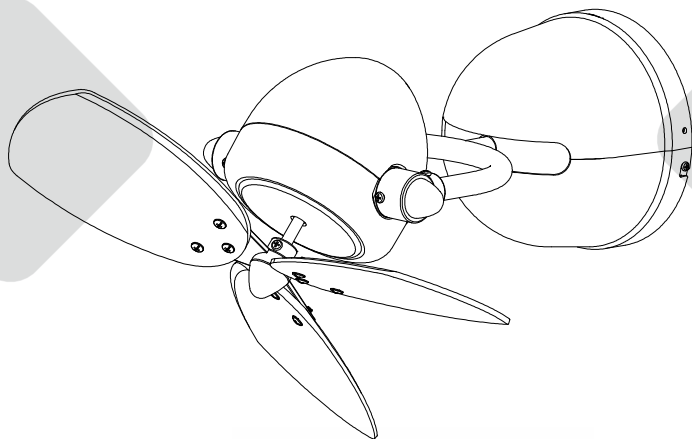


CEILING FAN INSTALLATION MANUAL



 **DEKA**®



Thank you for purchasing our product.
Before operating this set, please read these instructions completely.



Use only with rated voltage 220-240VAC/50Hz



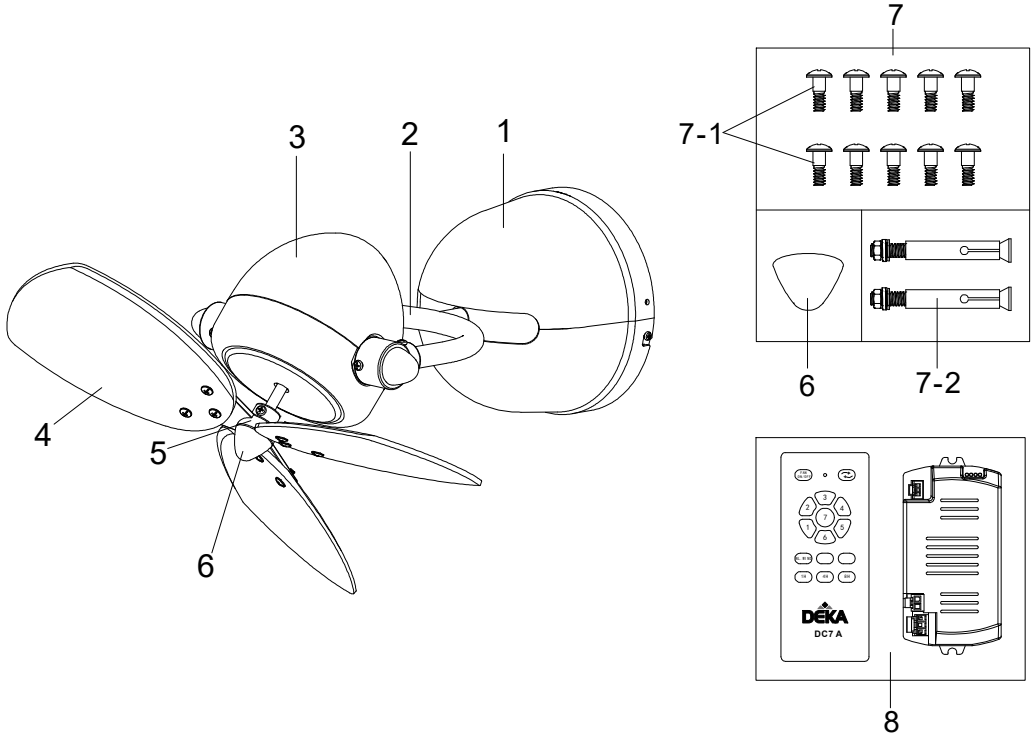
Switch off power supply and wait until the blade is fully static,
before cleaning or doing any maintenance jobs.



The appliance is not intended for use by persons (including children) with reduced physical,
sensory or mental capabilities, or lack of experience and knowledge, unless they have been
given supervision or instruction.

Children should be supervised to ensure that they do not play with the appliance.

Supplied Parts



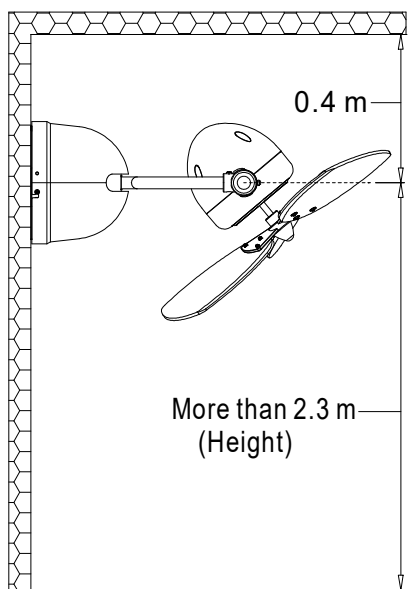
Parts		QTY
1	Canopy	1 Set
2	Wall mounting	1 Set
3	Fan motor assembly	1 Set
4	Fan blade	3 pcs
5	Blade holder	1 pcs
6	Screw cover	1 Set
7	Screw pack(Include 6 & 7-1 & 7-2)	1 Set
7-1	Screw for blade	10 pcs
7-2	Wall plug	2 pcs
8	Remote control & receiver	1 Set

How to Install the fan

The following steps will guide you to a successful installation

1. Fan assembly & receiver installation
2. Connecting the power supply
3. Canopy installation
4. Fan blade installation

Dual Mounting Selection

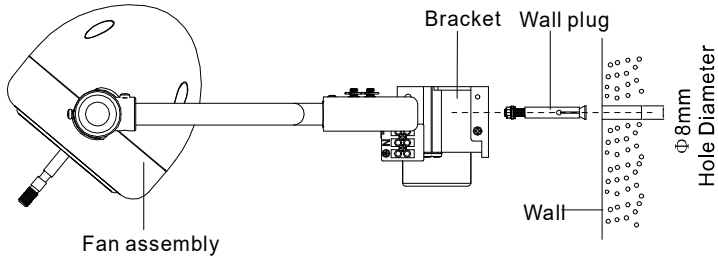


WARNING

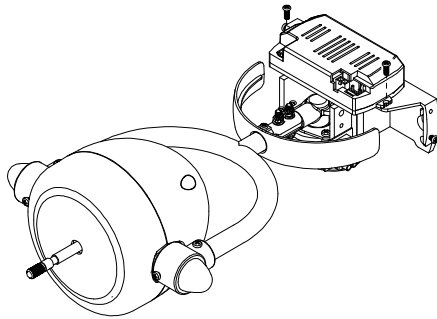
Ceiling fan must be mounted 2.3 m from the floor

Install Fan assembly and receiver

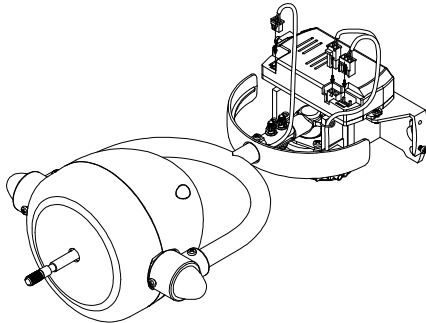
1. Assemble wall mounting bracket as per the picture attached.



2. Put the receiver onto bracket, tighten it with screw.

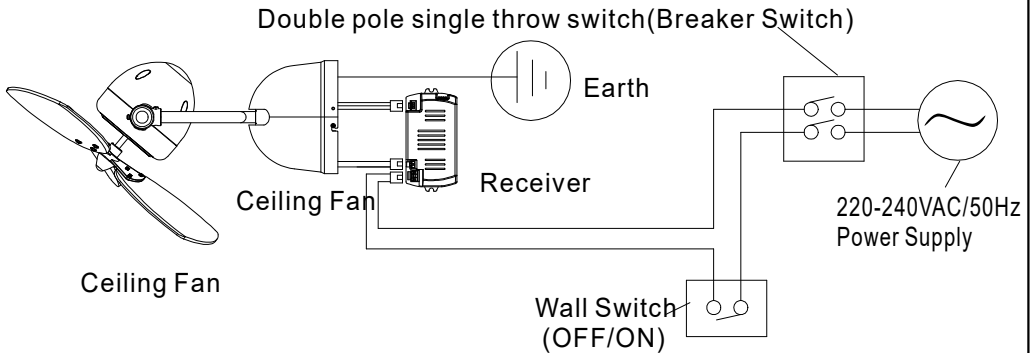


3. Put the wire into the receiver as per the picture attached.



Connecting The Power Supply

Only direct connection to wall allowed. Please refer to figure below.



RED-----LIVE WIRE
BLACK-----NEUTRAL WIRE
GREEN-----EARTH WIRE

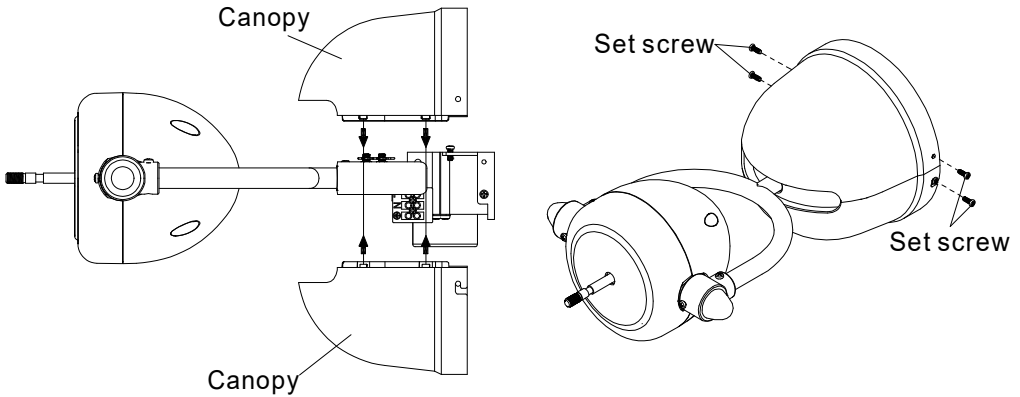


WARNING

This product is not provided with cord and plug or with other means for disconnection from the supply. When connect or change the power cord lead wire, it must be performed by qualified personnel in order to avoid a hazard. Please use wire thickness of cross section 1mm^2 or above.

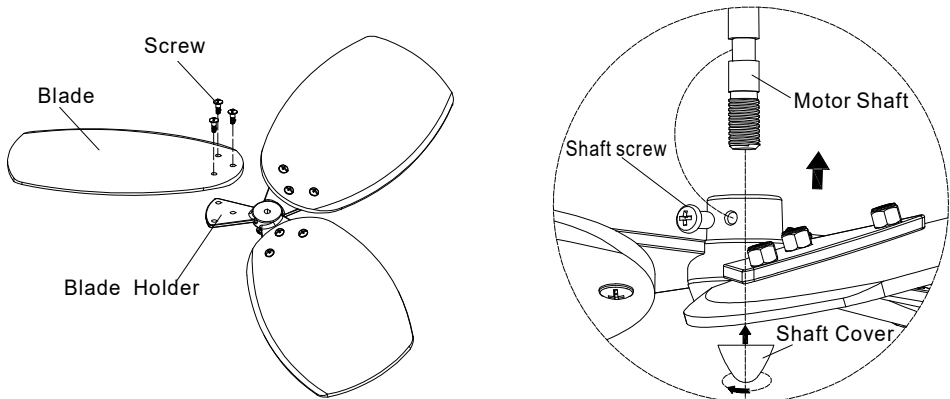
Install Canopy

Close the upper canopy together , tighten it with the set screw(2pcs) on the side.



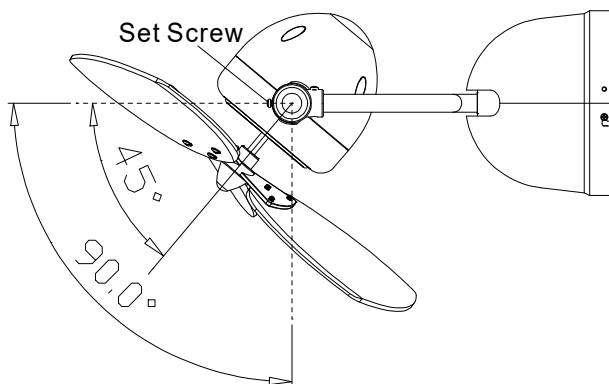
Install Fan Blade

1. Tighten the blades to blade holder with screw provided.
Each blade use 3 pieces of screw .
2. Place fan blade assembly as above to motor shaft.
Tighten shaft screw and turn counter clockwise to lock the shaft cover.



How To Change Fan Angle

1. Open both side screw cover, loosen screw and adjust to the desired angle.
2. Re-tighten all screw and screw cover back to position.



How To Use Remote control

FAN ON/OFF BUTTON

Turn ON/OFF ceiling fan

SWING BUTTON

Turn ON & Turn OFF ceiling fan swing
(For selected models only)

SPEED BUTTON

Turn on at 1-2-3-4-5-6-7 speed
*The fan will resume operation at the last speed setting before power off

TIMER BUTTON

Set up the time 1 Hr- 4 Hr-8 Hr

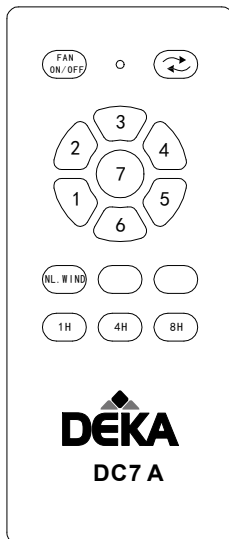
NL.WIND BUTTON

This function will give the effect of natural wind blowing.
(The fan will automatically increase speed from speed 1 to speed 7 every 10 seconds and from speed 7 back to speed 1. Pressing this button again will cancel this function)

REMOTE PAIRING STEP FOR LEARNING CODE :

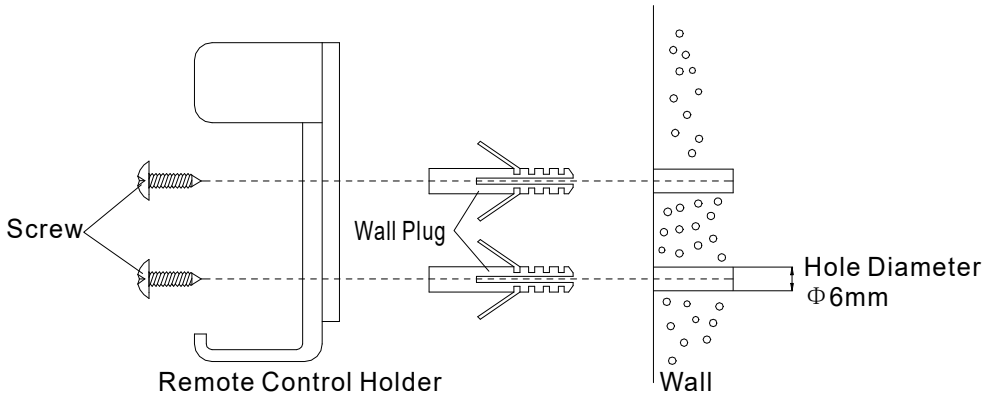
Learning code matching mode is used between emitter and receiver. Turn "ON" the supply power within 30 seconds and press the emitter's "FAN ON/OFF" button for 5 seconds, it can load normally after hearing a long sound "bee", which means learning successfully and it can works normally.

(NOTE: Learning mode is not accepted after turn "ON" the supply power for 30 seconds.)

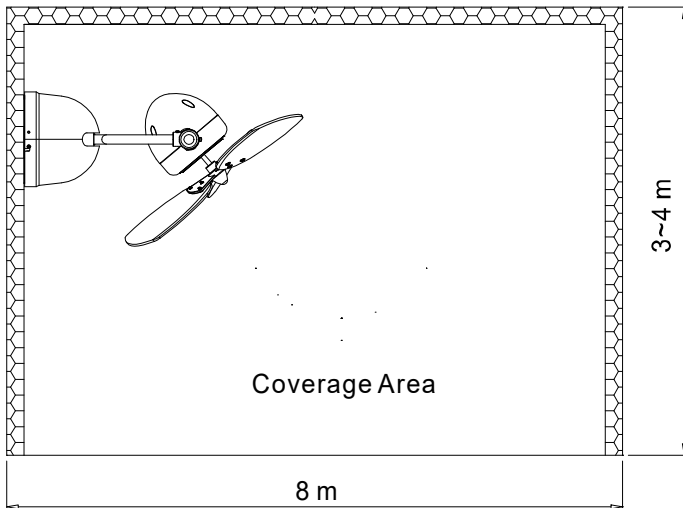


How To Install Remote Control Holder

Fix the Remote Control Holder to wall as figure below.
The Wall Plugs are not needed for wooden walls.



Remote Control Coverage



The figure shows the best coverage area. The ideal ceiling height is 3~4m.

Maintenance

Due to fan natural movement, connections may get loose after a period of usage. To ensure a proper and safety usage is highly recommended to inspect and tighten all connections in every 6 months.

CLEANING

Clean your fan periodically to maintain its new appearance. Basic cleaning procedures are as follows:

1. Use only lukewarm water, Do Not use detergent, corrosive or acidic solution.
2. Damp the cloth lightly . Use only soft or lint-free cloth to clean the fan. Rough fabric will scratch the surface.
3. Apply a thin coat of furniture polish to the wooden blades will protect and enhance the appearance.
4. To cover small scratches, apply a light coat of shoe polish over it.
5. There is no need to oil the fan.

Troubleshooting

Check on the following before lodging a service report

PROBLEM	CAUSE	SOLUTION
Fan not moving	<ol style="list-style-type: none">1. Main cables not connected2. Wire connection loose	<ol style="list-style-type: none">1. Check mains and branch circuit breakers or fuse2. Check the line wires connections to the fan and switch housing
Fan noisy	<ol style="list-style-type: none">1. Housing screws are loose2. Wire and nut connections rattles against each other3. Canopy touches the ceiling	<ol style="list-style-type: none">1. Tighten all screws2. Separate and store neatly the wire connections from the nut3. Check that the canopy is not touching or too close to the ceiling
Remote Control not working	<ol style="list-style-type: none">1. Remote and receiver code different2. Battery not installed3. Weak battery	<ol style="list-style-type: none">1. Refer page 7, repairing the remote learning code2. Install the remote control battery3. Change a new battery

Customer Service Centre

If you need any technical assistance or to report a fault, please contact our customer service centre at:

DEKA MARKETING SDN BHD

200901029313 (872418-P)

No.7, JALAN UDANG HARIMAU 1,
MEDAN NIAGA KEPONG,
51200 KUALA LUMPUR,
MALAYSIA.



TEL: 603-62426166 (Hunting Line)

FAX: 603-62424822

Service hotline: 603-62421600 (Hunting Line)

Web: <http://www.deka.my>



WARNING

Ceiling fan are not recommended to be installed directly above heating area, such as stove, oven, hot plate and others. This will shorten the lifespan due to direct heat and oil cause by cooking.

Specifications, T40

VOLTAGE	FAN POWER	LIGHTING POWER	SIZE OF FAN
220-240V~50Hz	33 watts	/	500mm
220-240V~50Hz	33 watts	/	400mm